



6400xi
7600xi

KACO blueplanet 00xi series transformerless grid-tied inverters

Performance

High efficiency: 96.5% CEC efficiency on all 00xi series inverters ensures lowest energy losses
 High efficiency at low power: KACO transformerless inverters are 94% efficient at 10% output power
 Designed for max. ROI: Newest generation IGBTs and advanced MPPT algorithms

Ease of installation

easyINSTALL T-bracket: Minimizes mounting process to approximately 15 minutes
 Lockable DC disconnect: Save up to \$100 with the pre-wired & separable integrated disconnect
 Multiple knock-outs: Knock-outs on bottom, sides and back offer great installation flexibility
 Connection box: Avoid costly channel raceways by directly connecting multiple inverters
 Reduced weight: KACO inverters are up to 50% lighter than comparably sized inverters
 Reduced side clearance: No fan cooling outlets on the sides
 Field selectable voltages: Use the same inverter in 208V, 220V or 240V grid settings
 Four fused DC inputs: The inverter doubles as a code compliant string combiner

Reliability

History: KACO has been manufacturing power electronics for more than 60 years
 Experience: More than 3 GW of inverters worth more than \$1 billion installed worldwide
 Split architecture design: Power electronics are protected in a separate chamber
 Sealed outdoor enclosure: Protects power electronics from dust, humidity, insects and ocean air
 DC reverse polarity protection: Avoids potential damage to inverter caused by mis-wiring during installation
 Redundant power capacitors: Increases the lifetime of your inverter
 Convection cooling: Natural convection cooling minimizes use of the assist fan

Monitoring

KACO proLOG:

Monitor up to 32 inverters as well as multiple sensors.

KACO watchDOG:

Optional monitoring card decreases costs and increases reliability to give you the most innovative monitoring solution.

easyLINK data interface:

Integrated RS485 comm card saves over \$200 compared to some competitors.

Integrated night switch:

Activates inverter display even after the PV system has shut down.

SymBus monitoring interface:

Monitors and controls phase imbalance on 3-phase systems.

blueplanet web:

Free monitoring option for residential systems up to 10kW.*

**Available for all system sizes for additional cost.*

Warranty

KACO easySWAP policy:

Benefit from KACO's no hassle inverter exchange policy.

Reimbursement policy:

KACO's \$150 service reimbursement is among the most generous in the industry.

KACO guarantee:

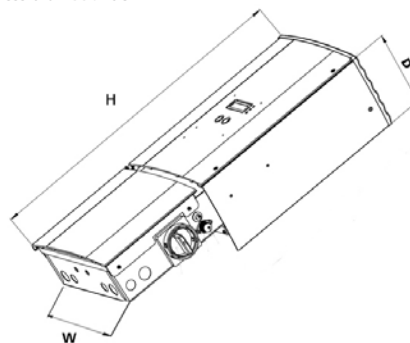
00xi series inverter repairs after warranty will never be higher than \$600.

10 years standard warranty:

Warranties are only as valuable as the strength and longevity of the manufacturer and KACO is one of the few established inverter companies older than the warranties they offer.

| Model number | blueplanet 6400xi | | blueplanet 7600xi |
|---------------------------------------|---|---------------------------|---------------------------|
| Input data (DC) | | | |
| DC operating range | 240 V | 365 – 510 V _{dc} | 365 – 510 V _{dc} |
| | 208 V | 320 – 510 V _{dc} | 320 – 510 V _{dc} |
| Max. DC input voltage | 600* V _{dc} | | 600* V _{dc} |
| Nominal DC input current | 21 A _{dc} | | 24 A _{dc} |
| Max. DC input I _{sc} current | 36 A _{dc} | | 36 A _{dc} |
| Output data (AC) | | | |
| Max. continuous output power (CEC) | 6400 W | | 7600 W |
| Max. over-current protection | 50 A | | 50 A |
| Max. continuous current | 240 V | 27 A _{ac} | 32 A _{ac} |
| | 208 V | 31 A _{ac} | 37 A _{ac} |
| | 220 V | 30 A _{ac} | 35 A _{ac} |
| AC operating range | 240 V | 211 – 264 V | |
| | 208 V | 184 – 226 V | |
| | 220 V | 198 – 242 V (for Mexico) | |
| Frequency | 60 Hz (59.3 – 60.5 Hz) | | |
| Maximum efficiency | 240 V | 97.2% | 97.1% |
| | 208 V | 96.9% | 97.0% |
| CEC rated efficiency | 96.5% | | 96.5% |
| Additional data | | | |
| DC disconnect ratings | 600 V, 4 x 16 A | | |
| Cooling | True convection - ultimate reliability, with assist fan | | |
| DC reverse polarity protection | Yes | | |
| Ground fault protection | Integrated residual current detector | | |
| Grounding | Ungrounded, transformerless inverter | | |
| Visual displays | Backlit LCD w/ convenient night switch & push button controls | | |
| Included accessory interfaces | easyLINK RS485 & SymBus (Ethernet optional) | | |
| Ambient temp @ max AC power | -4°F – +104°F | | (-20°C – + 40°C) |
| Ambient operating temp | -4°F – +140°F | | (-20°C – + 60°C) |
| Thermal protection | Yes | | |
| Noise emissions | < 45 dB (near silent operation) | | |
| Night power consumption | 208V: 0.26W, 240V: 0.36W | | |
| Warranty | Standard easySWAP 10 years | | |
| Certifications | | | |
| Safety compliance | UL 1741, IEEE 1547, NEC, CSA 22.2 No.107.1-01 | | |
| Communications compliance | FCC Part 15 Class A and B | | |

* Unit will only feed power if the PV voltage is less than 550Vdc.



Mechanical Specifications

| Model | Height (H) | Width (W) | Depth (D) | Weight |
|-----------|----------------------|-----------------|--------------------|----------------|
| 7600xi | 44 1/8 in. (1121 mm) | 14 in. (356 mm) | 8 7/8 in. (226 mm) | 95 lbs (43 kg) |
| 6400xi | 44 1/8 in. (1121 mm) | 14 in. (356 mm) | 8 7/8 in. (226 mm) | 95 lbs (43 kg) |
| Enclosure | NEMA 3R | | | |